

express PRO

EASY INSTALLATION



USER INTERFACE



EXPANDABILITY



VERSATILITY

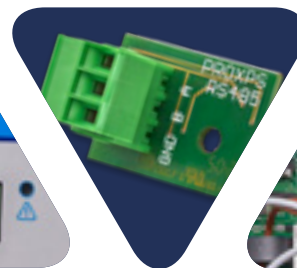


The expression of completeness? express PRO

In this new version, **EXPRESS PRO** is once again the most complete, versatile and practical panel in the Elentek range. With its simple and immediate user interface, **6 preset modes** of use and multiple applications, Express Pro has evolved even further with additional connectivity, control and expandability options.



HISTORICAL
ALARMS



RS485
(Optional)



MODULAR
EXPANDABILITY



FLEXIBILITY

Additional application options thanks to analogue input

ALWAYS PRESENT

Thanks to the multilingual display, every operation is displayed

PROGRAMMABLE ANTI-SEIZE

Customisable programming to avoid undesired blockages

MAXIMUM MODULARITY

System implementable up to 4 pumps

APPLICATIONS

✓ PRESSURISATION

✓ FILLING

✓ EMPTYING

✓ DRAINAGE

CONNECTIVITY

BMS FREE VOLTAGE CONTACTS MODULE

BLUETOOTH WI-FI MODULE FOR APP

WATER IN OIL CHAMBER MODULE

BUFFER BATTERY MODULE

RS485 MODBUS MODULE

LEVEL PROBES MODULE

TECHNICAL FEATURES

FUNCTIONS

- LCD display for displaying and programming: voltage, current, power factor, hours of operation, number of starts, motor status, alarms, analogue signal and thresholds
- AUTOMATIC - 0 (standby) - MANUAL (fixed or pulse) operation buttons
- Language settings (Italian, English, French, Spanish, German)
- Anti-seize autotest (programmable)
- Dry running protection with: level probes/ floats/ pressure switches and minimum current
- Up to 6 control inputs: floats/pressure switches
- Input for 4-20 mA or 0-10V analogue signal
- Unit of measurement analogue signal cm - m - bar
- Emergency start and stop inputs with analogue signal operation mode (can be disabled)
- Clickson thermal pad inputs with automatic reset (can be disabled)
- Inversion of inputs (from normally open to normally closed)
- Automatic reset for minimum current alarm with 4 programmable times
- Activation delay from mains return (can be disabled)
- Manual button operation (fixed or pulse)
- Predisposition for run capacitors for single-phase version (not included) (non inclusi)

EXPRESS PRO 2-3-4 ADDITIONAL FUNCTIONS

- Duty standby (can be disabled)
- Immediate motor changeover in the case of a fault

VERSIONS

- Single-phase version 100-240Vac 50/60Hz
- Three-phase version 310-450Vac 50/60Hz

CONTROLS

- Electronic control of minimum and maximum voltage
- Electronic control of maximum motor current
- Electronic control of minimum motor current
- Failure or incorrect phase sequence control on power supply input (can be disabled)

ALARMS

- Alarms reported: voltage status, levels, motor overload, minimum motor current, clicson motor
- Alarms history
- Alarms for too many starts/hour (programmable)
- General alarm output contacts

PROTECTIONS

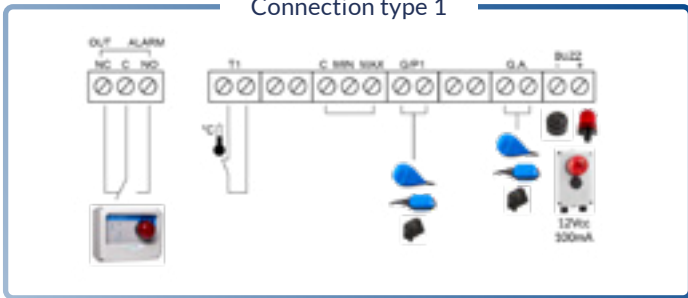
- Auxiliary and motor protection fuses
- Isolator (except for NB code)
- Box in ABS, IP55

MODELS AND CONNECTION DIAGRAMS

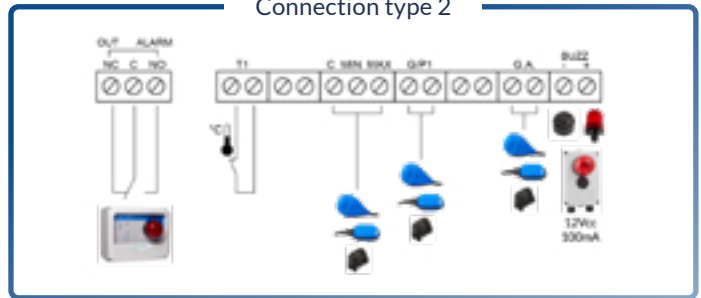
express PRO 1

Code	Model	Voltage	Max power		Current		Box		Weight
			Kw	Hp	Range	Max	Mod.	Material	Kg.
11630NB	EXPRESS PRO 1-Mono (no switch interlocking door)	1~230 V	2,2	3	0-18 A	18 A	P1	Plastic	1.2
11630	EXPRESS PRO 1-Mono	1~230 V	2,2	3	0-18 A	18 A	P2	Plastic	1.5
11633	EXPRESS PRO 1-Tri/7,5	3~400 V	7,5	10	0-18 A	18 A	P2	Plastic	2.3
11634	EXPRESS PRO 1-Tri/11	3~400 V	11	15	16-25 A	25 A	P2	Plastic	2.5
11635	EXPRESS PRO 1-Tri/15	3~400 V	15	20	16-32 A	32 A	P2	Plastic	3

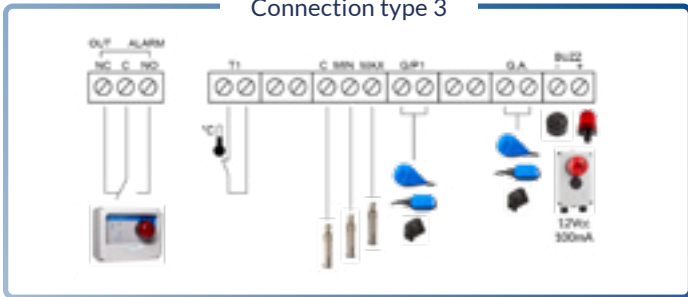
Connection type 1



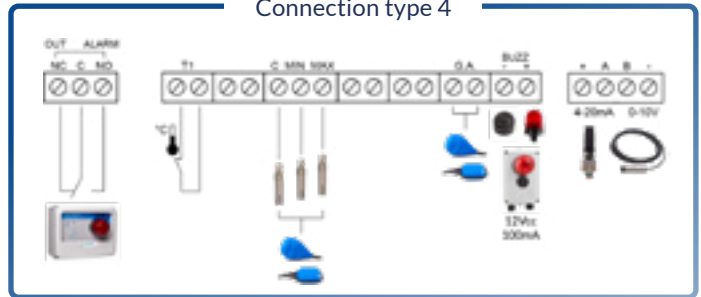
Connection type 2



Connection type 3



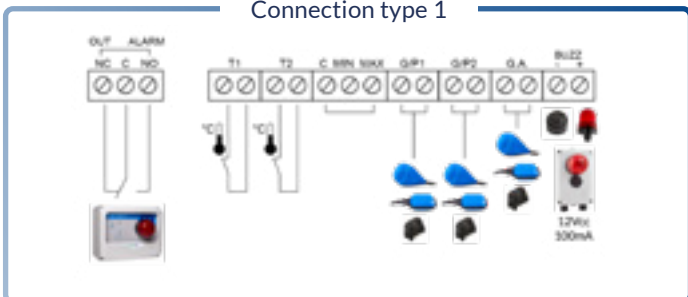
Connection type 4



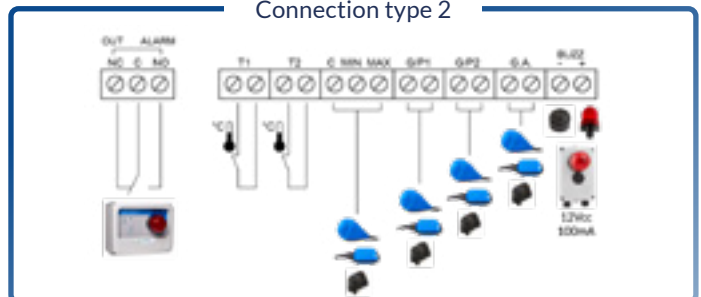
express PRO 2

Code	Model	Voltage	Max power		Current		Box		Weight
			Kw	Hp	Range	Max	Mod.	Material	Kg.
12630NB	EXPRESS PRO 2-Mono (no switch interlocking door)	1~230 V	2,2	3	0-18 A	18 A	P1	Plastic	1.2
12630	EXPRESS PRO 2-Mono	1~230 V	2,2	3	0-18 A	18 A	P2	Plastic	1.5
12633	EXPRESS PRO 2-Tri/7,5	3~400 V	7,5	10	0-16 A	16 A	P2	Plastic	2.5
12634	EXPRESS PRO 2-Tri/11	3~400 V	11	15	16-25 A	25 A	P3	Plastic	3
12635	EXPRESS PRO 2-Tri/15	3~400 V	15	20	16-32 A	32 A	P3	Plastic	3.5

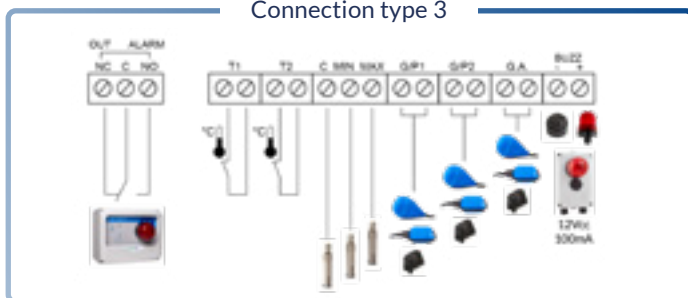
Connection type 1



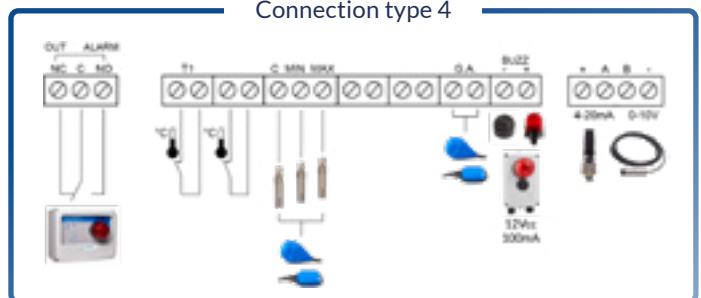
Connection type 2



Connection type 3



Connection type 4



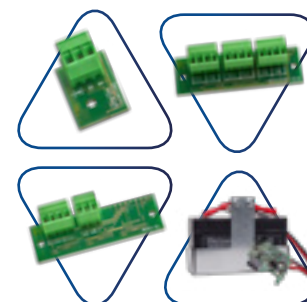
ACCESSORIES

Code	Model	Description
98007	K3SL	Kit of 3 level probes (electrodes)
99050	PM/5	Pressure switch 1-5 bar
99051	PM/12	Pressure switch 3-12 bar
98003.012	AA-12Vdc	Acoustic alarm 90 dB 12Vdc
98004.012	LL-12Vac/dc	Flashing alarm 12V AC/DC
98022	FE	Emergency pushbutton
98029	DT	Daily timer with switch-riders
98030	WT	Weekly digital timer
98032	TPL	Pause/work timer
98033	CI24Vac	External 24Vac input for activation/deactivation of the motor
98033A	CI230Vac	External 230Vac input for activation/deactivation of the motor



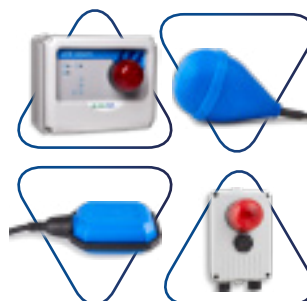
EXPANSIONS

Code	Model	Description
98102	PRO-XPS	PROXPS RS485 Modbus module
98103	PRO-SL	PRO-SL level probe module
98104	PRO-H2O	PRO-SL H2O Oil Chamber Water Presence Module
98105	PRO-6DO	BMS dry contacts module
98106	PRO-DBT	PRODBT buffer battery module
98107	PRO-WiFi	Bluetooth wi-fi module for App PROXPS-WiFi / BT

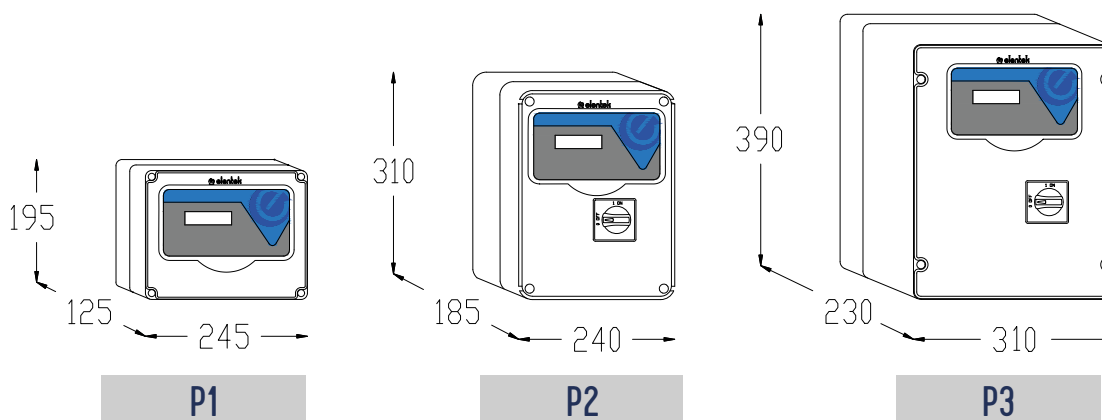


RELATED PRODUCTS

Code	Model	Description
99034	FLO 10	Float switch with neoprene cable length 10 m
99036	DROP 10	Variable float switch with neoprene cable length 10 m
99039	SHELL	Counterweight
01503	FLASH 12	Acoustic/visual alarm panel
01500	UNIT ALARM 1	Acoustic alarm panel with buffer battery
01501	UNIT ALARM 2	Acoustic/visual alarm panel with buffer battery
01502	UNIT ALARM GSM	Acoustic/visual alarm panel with buffer battery and GSM kit
98044	TP010B	Pressure transducer 0-10Bar 4-20mA
98045	TP016B	Pressure transducer 0-16Bar 4-20mA
pag. 54	MANIFOLD	Stainless steel manifolds
97007	E-KIOSK	Polyethylene panel column
99009	BASE FULL	Base for horizontal and vertical 2-pump booster kits



MODELS



MODELS

express PRO 3

Code	Model	Voltage	Max power		Current		Box		Weight
			Kw	Hp	Range	Max	Mod.	Material	Kg.
13630	EXPRESS PRO 3-Mono	1~230 V	2,2	3	0-18 A	18 A	P3	Plastic	5
13633	EXPRESS PRO 3-Tri/7,5	3~400 V	7,5	10	0-18 A	18 A	M1	Metallic	15
13634	EXPRESS PRO 3-Tri/11	3~400 V	11	15	16-25 A	25 A	M1	Metallic	15
13635	EXPRESS PRO 3-Tri/15	3~400 V	15	20	16-32 A	32 A	M1	Metallic	15

express PRO 4

Code	Model	Voltage	Max power		Current		Box		Weight
			Kw	Hp	Range	Max	Mod.	Material	Kg.
14630	EXPRESS PRO 4-Mono	1~230 V	2,2	3	0-18 A	18 A	P3	Plastic	20
14633	EXPRESS PRO 4-Tri/7,5	3~400 V	7,5	10	0-18 A	18 A	M3	Metallic	25
14634	EXPRESS PRO 4-Tri/11	3~400 V	11	15	16-25 A	25 A	M3	Metallic	25
14635	EXPRESS PRO 4-Tri/15	3~400 V	15	20	16-32 A	32 A	M3	Metallic	25

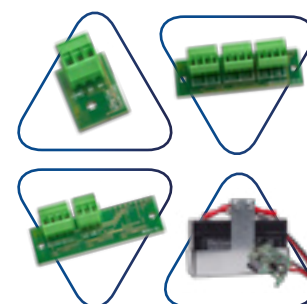
ACCESSORIES

Code	Model	Description
98007	K3SL	Kit of 3 level probes (electrodes)
99050	PM/5	Pressure switch 1-5 bar
99051	PM/12	Pressure switch 3-12 bar
98003.012	AA-12Vdc	Acoustic alarm 90 dB 12Vdc
98004.012	LL-12Vac/dc	Flashing alarm 12V AC/DC
98022	FE	Emergency pushbutton
98029	DT	Daily timer with switch-riders
98030	WT	Weekly digital timer
98032	TPL	Pause/work timer
98033	CI24Vac	External 24Vac input for activation/deactivation of the motor
98033A	CI230Vac	External 230Vac input for activation/deactivation of the motor



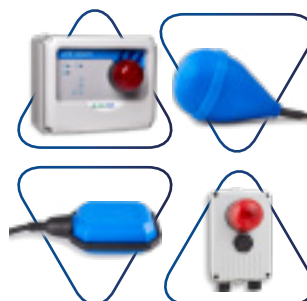
EXPANSIONS

Code	Model	Description
98102	PRO-XPS	PROXPS RS485 Modbus module
98103	PRO-SL	PRO-SL level probe module
98104	PRO-H2O	PRO-SL H2O Oil Chamber Water Presence Module
98105	PRO-6DO	BMS dry contacts module
98106	PRO-DBT	PRODBT buffer battery module
98107	PRO-WiFi	Bluetooth wi-fi module for App PROXPS-WiFi / BT

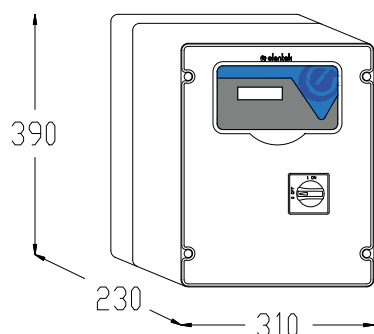


RELATED PRODUCTS

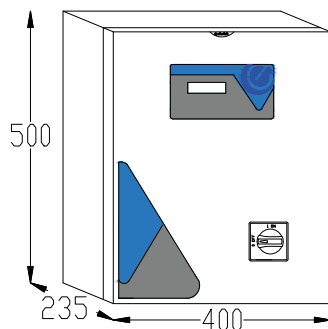
Code	Model	Description
99034	FLO 10	Float switch with neoprene cable length 10 m
99036	DROP 10	Variable float switch with neoprene cable length 10 m
99039	SHELL	Counterweight
01503	FLASH 12	Acoustic/visual alarm panel
01500	UNIT ALARM 1	Acoustic alarm panel with buffer battery
01501	UNIT ALARM 2	Acoustic/visual alarm panel with buffer battery
01502	UNIT ALARM GSM	Acoustic/visual alarm panel with buffer battery and GSM kit
98044	TP010B	Pressure transducer 0-10Bar 4-20mA
98045	TP016B	Pressure transducer 0-16Bar 4-20mA
pag. 54	MANIFOLD	Stainless steel manifolds
97007	E-KIOSK	Polyethylene panel column
99009	BASE FULL	Base for horizontal and vertical 2-pump booster kits



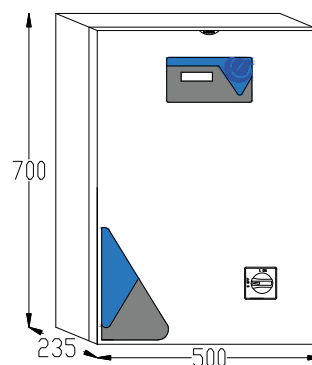
MODELS



P3



M1



M3